

Tel: 01506 412791

Email: sales@esl-services.co.uk

Web: www.esl-services.co.uk

LG2020 Powered Stair Climber



For people to be used on straight, spiral, flaired and narrow staircases

The most competitively priced stairclimber for a range of staircases and terrains including spiral and flared stairs. Unique rear support wheels, for safe movement on stairs. It breaks down into lighter units for transport in small vehicles. Easy to disassemble and store when not in use, and quick to reassemble. Extremely lightweight and in addition to its compact size it is very easy to manoeuvre even in tight spaces. It is strong and durable with an autonomy that is unrivalled. AIRPORT VERSION or for taller steps. It has an integral quick release step to cope with the bottom step of aircraft steps.

Applications

- ◆ Aeroplane model for use on aircraft steps
- ◆ Suitable for use on spiral and flared stairs, historic and listed buildings and it can be stored and moved easily, as it does not attach to the fabric of the building.

Why choose the LG2020?

- ◆ Rear support allows a climb assisted effortless and comfortable
- ◆ Ergonomic handle with large buttons for easy and safe control of the stairlift
- ◆ Adjustable brake in order to better adapt to all types of stairs
- ◆ Pivoting front wheels brake with double-acting
- ◆ Extendable platform
- ◆ Compact and easy to disassemble
- ◆ AIRPORT VERSION or for taller steps. Has an integral quick release step to cope with the bottom step of aircraft steps.

About us

ESL Services provide the most comprehensive range of evacuation chairs and stairclimbers to improve safety when getting people in and out of buildings. Important - people have different needs and therefore require different choices.



Tel: 01506 412791

Email: sales@esl-services.co.uk

Web: www.esl-services.co.uk

LG2020 Powered Stair Climber

Specifications

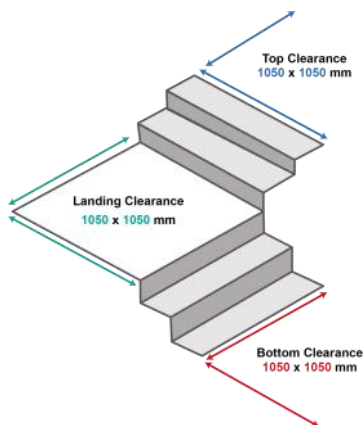
Capacity	160 kg
Weight	44 kg
Dimensions	97 x 57 x 70 cm
Warranty	2 years
Manufacturer	Antano

Guide to stair clearances

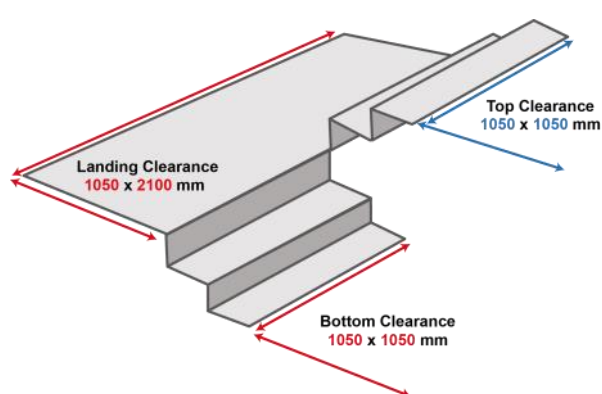
Minimum: 600 x 600 mm

The diagram below shows the typical minimum clearances required on stairways. Actual requirements may vary depending on your stairway configuration.

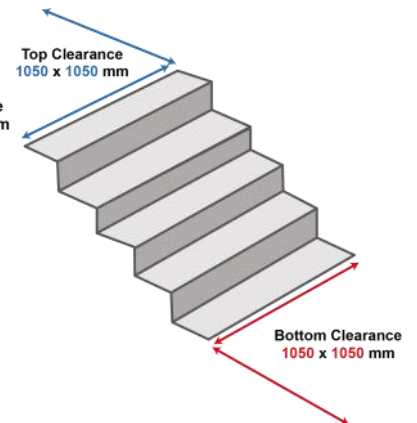
L-shaped Landing



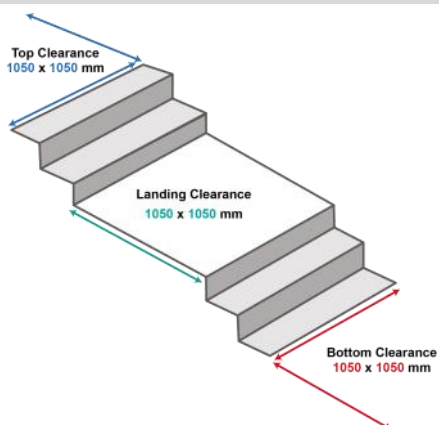
U-shaped Landing



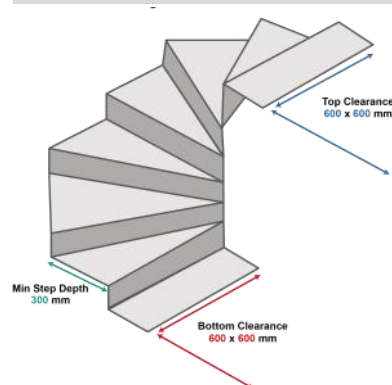
Straight Stairs



Straight with Landing



Spiral Stairs



Flaired Stairs

